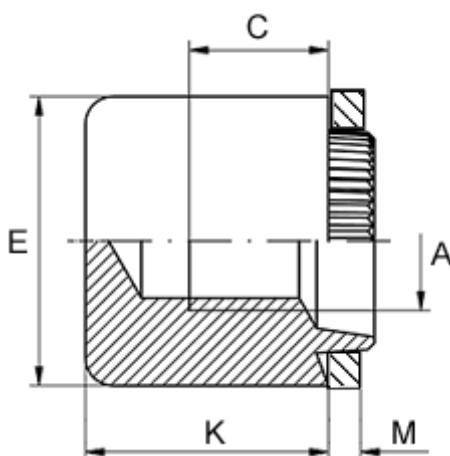


Article number: 12751000035700

Description: KLEE-coil 751 000 035.700  
M3,5 Light-alloy metal

## Measures

---



Female thread A	= M3,5
Height K	= 9.0
Min thread length C	= 4.0
Outer diameter E	= 10.0
Plate thickness	= 2.9 to 3.1
Recommended bore diameter for extreme load	= 7.0
Recommended bore diameter for normal use	= 7.0